

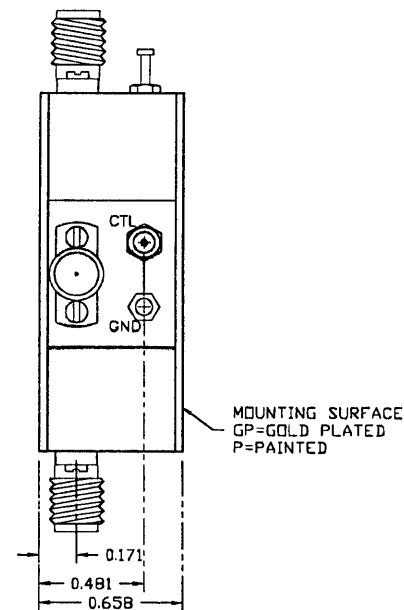
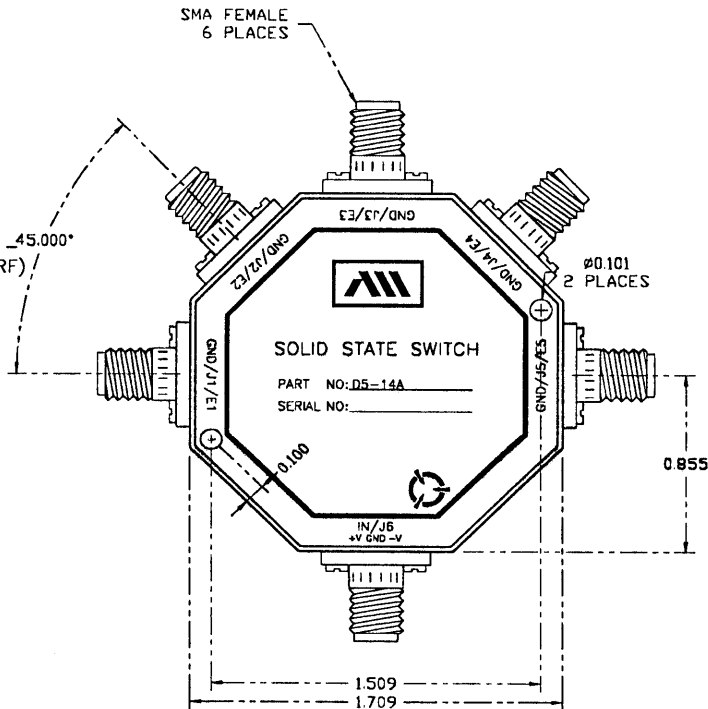
**DESCRIPTION:**

AMC MODEL SWN-1170-5DR, OPTION MCLID5-14 IS A SINGLE POLE FIVE THROW REFLECTIVE SWITCH MODULE, WITH LOW INSERTION LOSS, HIGH ISOLATION, AND TTL DRIVER DESIGNED FOR 7.2 GHz TO 8.5 GHz OPERATION.

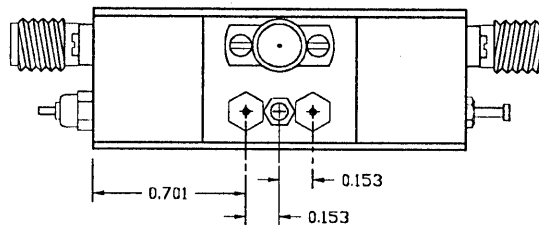
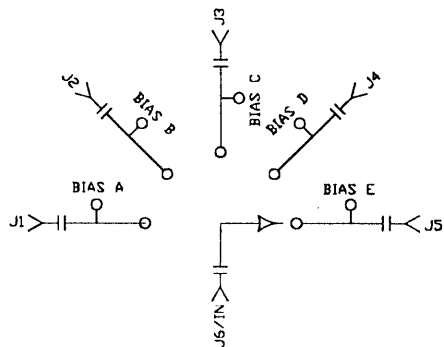
ZONE		REV.	DESCRIPTION	DATE	APPROVED
		-	ORIGINAL JOB 011249E	01/11/01	

**SPECIFICATIONS:**

- FREQUENCY:.....7.2 GHz TO 8.5 GHz
- INSERTION LOSS:.....2.30 dB MAXIMUM
- ISOLATION:.....60 dB MINIMUM
- VSWR:.....1.9:1
- SPEED:.....RISE: 100ns MAXIMUM (90% TO 10% OR  $-45,000^\circ$   
FALL: 100ns MAXIMUM 10% TO 90% OF RF)  
DELAY ON: 150ns TYPICAL  
DELAY OFF: 150ns TYPICAL
- CONTROL:.....TTL LOGIC (0=ON, 1=OFF)
- POWER SUPPLY:.....+5V @ 70 mA MAXIMUM  
-5V @ 70 mA MAXIMUM
- CONNECTORS:.....RF CONNECTORS ARE SMA FEMALE
- SIZE:.....1.71" FLAT TO FLAT x 0.65" (H)
- WEIGHT:.....2 OZ.



**BLOCK DIAGRAM**



M/N=MODEL NUMBER  
O/N=OPTION NUMBER  
S/N=SERIAL NUMBER  
P/N=PART NUMBER

NOTE:  
DR=WITH DRIVER, REFLECTIVE  
DT=WITH DRIVER, NON-REFLECTIVE/ABSORPTIVE

**ENVIRONMENTAL RATINGS:**

- TEMPERATURE:.....-55°C TO +85°C (OPERATING)  
-65°C TO +125°C (STORAGE)
- HUMIDITY:.....MIL-STD-202F, METHOD 103B COND. B
- SHOCK:.....MIL-STD-202F, METHOD 213B COND. B
- VIBRATION:.....MIL-STD-202F, METHOD 204D COND. B
- ALTITUDE:.....MIL-STD-202F, METHOD 105C COND. B
- TEMPERATURE CYCLE:.....MIL-STD-202F, METHOD 107D COND. A

ALL DIMENSIONS ARE IN INCHES  
TOLERANCES:  
X.XX ±0.020  
X.XXX ±0.010

NOTE: THE ABOVE SPECIFICATIONS ARE SUBJECT TO CHANGE OR REVISION

CONTRACT NO.		AMERICAN MICROWAVE CORPORATION FREDERICK, MARYLAND	
APPROVALS	DATE	TITLE	
DRAWN RAB	01/11/01	OUTLINE DRAWING SWN-1170-5DR OPTION MCLID5-14	
CHECKED WDP	10/5/01	SIZE A	FSCM NO. 60483
ISSUED		DWG NO. 100-5932	REV. -
SCALE N/S		SHEET 1 of 3	